

1908 W. Allen St  
 Bloomington, IN 47403  
 812-336-6469  
 1-800-400-4148  
 Fax 812-334-0902

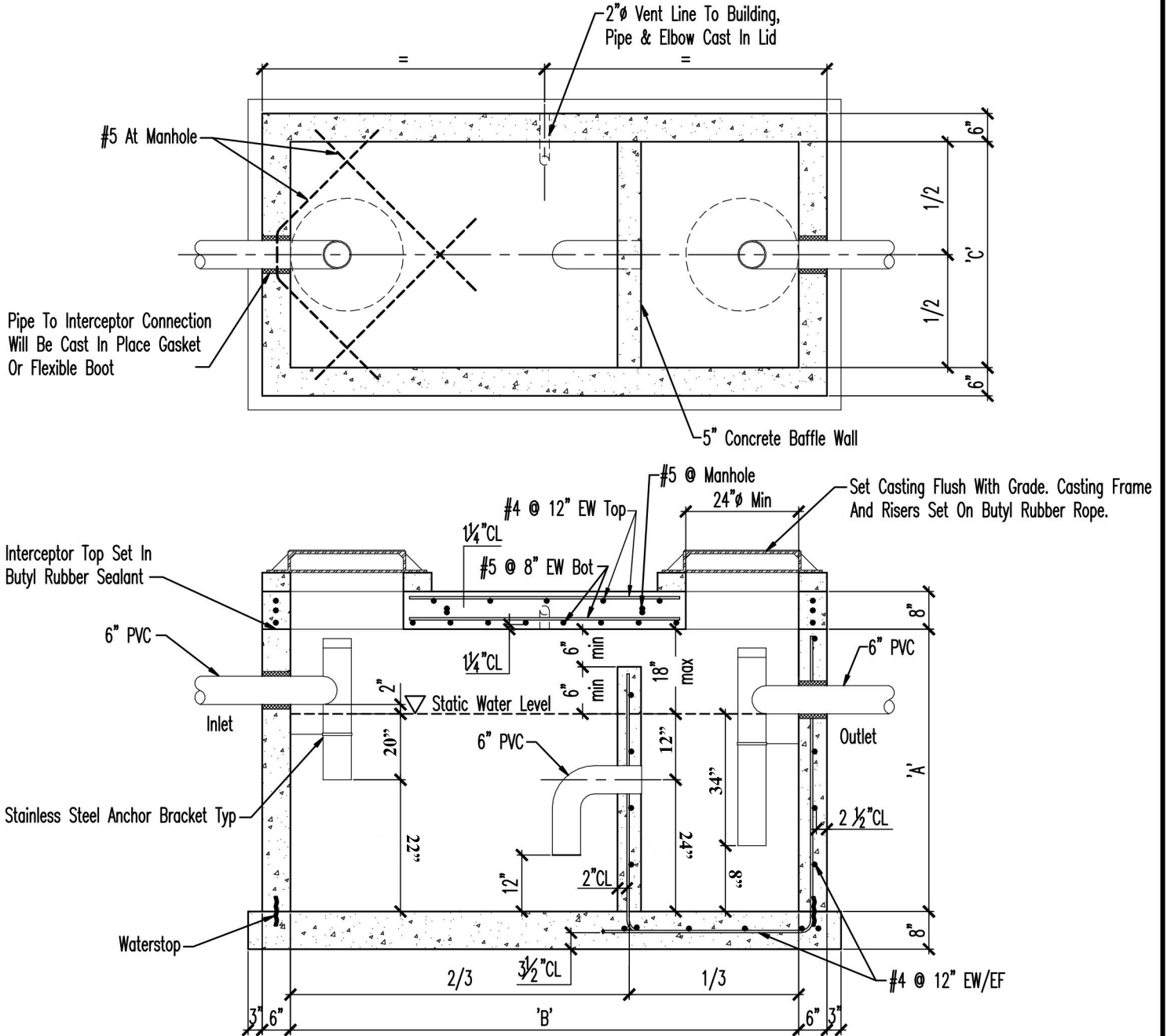


Record: 06/24/19

Project:

Date:

# GREASE INTERCEPTOR



Notes:  
 Concrete f'c 5,000 psi  
 Reinforcing: ASTM A615 Grade 60  
 Concrete Admixture: IPANEX  
 Waterstops: Masco GS705

Dimension \ Size		750 Gallons	1,000 Gallons	1,250 Gallons	1,500 Gallons	2,000 Gallons	2,500 Gallons	3,000 Gallons
'A'		5'-0"	5'-0"	5'-0"	5'-0"	6'-0"	6'-0"	7'-0"
'B'		7'-0"	9'-0"	11'-0"	11'-0"	12'-0"	12'-0"	12'-0"
'C'		4'-0"	4'-0"	4'-0"	5'-0"	5'-0"	6'-0"	6'-0"