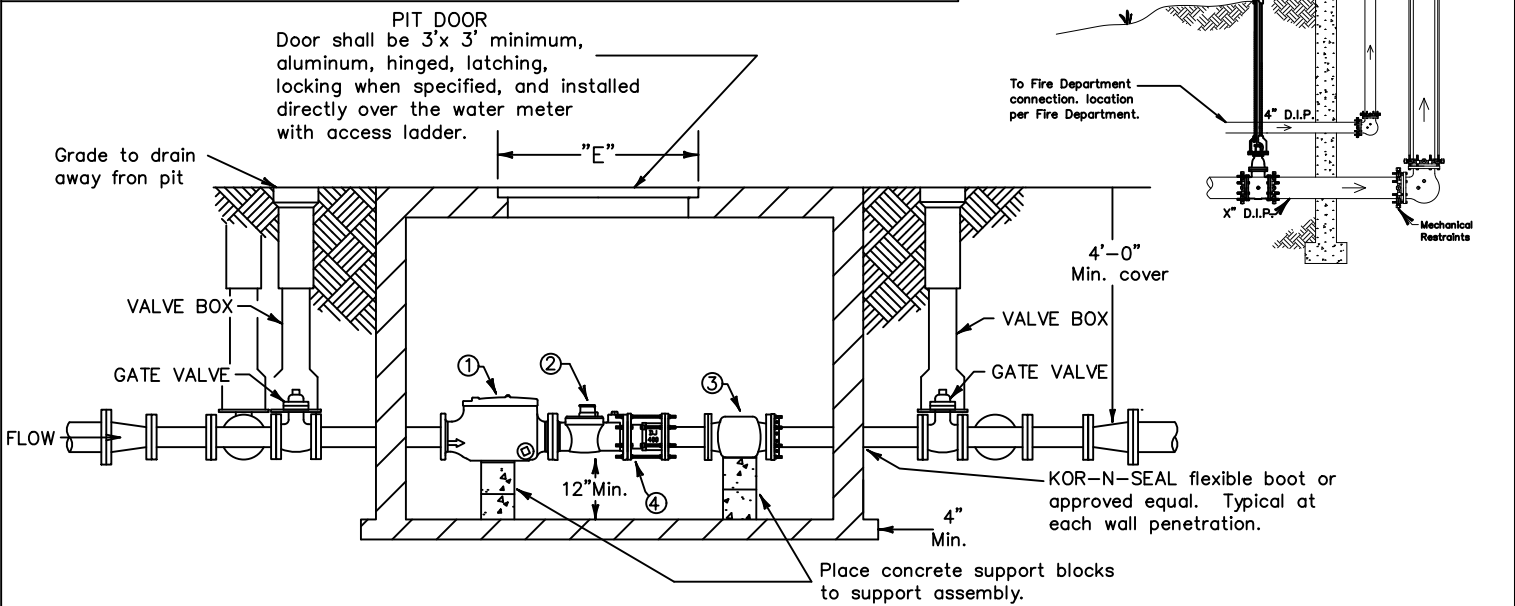
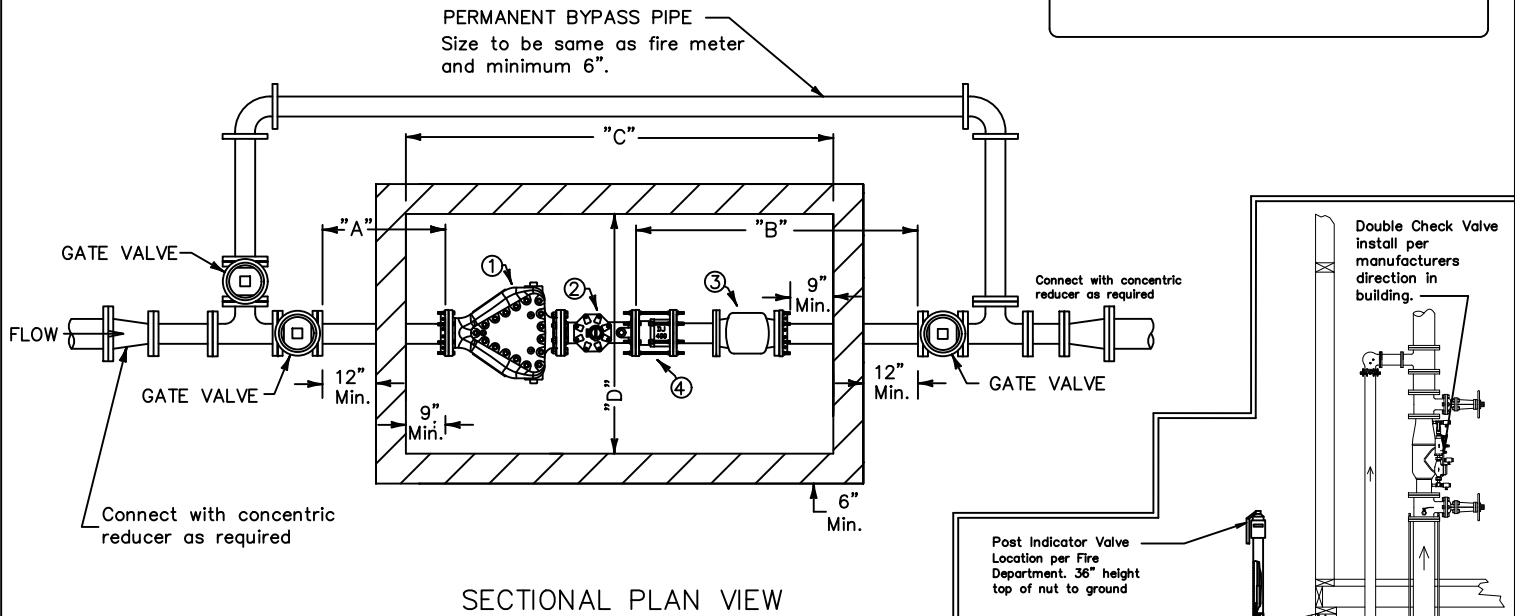


**PIT/VAULT (Non-traffic area)**  
 Pit shall be reinforced cast-in-place concrete, precast concrete, or laid block. Apply CBU approved waterproofing agent to interior and exterior of walls. Specifications for pits in traffic areas shall be determined by design requirements. Refer to CBU Specifications, Section 4.5.3.3 for additional information.

LEGEND	
①	UL/FM APPROVED STRAINER
②	METER See Notes at left
③	SWING CHECK VALVE w/ VISUAL INDICATOR
④	Dismantling Joint Romac DJ400 or DJ405. (Set at Nominal Length)



FIRE METER SIZE	"A" Min. length straight pipe before compact assembly	"B" Min. length straight pipe after compact assembly	"C" Pit minimum inside length	"D" Pit minimum inside width	"E" Min. pit door size
4"	24"	16"	96"	60"	36"x36"
6"	30"	24"	114"	60"	36"x36"
8"	40"	32"	132"	66"	48"x48"
10"	50"	40"	168"	66"	48"x48"

**DUAL FIRE/DOMESTIC  
 METER ASSEMBLY  
 4"-10" Meter Installation**