

Food Service Establishment Remodel Forms Packet

Renovations: Remodels / Additions / Improvements:

The renovation and remodel requirements (for an existing building or property) do not include demolition of an entire facility; please refer to “New Commercial Construction” for more details if this is the type of project you are doing.

Commercial – Food Service Establishment (FSE’s): Any non-residential facility that is remodeling or renovating their kitchen and/or plumbing fixtures, or as deemed necessary by the Monroe County Health Department must submit a site and plumbing plan to City of Bloomington Utilities for review. The changes may be as small as adding a floor drain or 3-bay sink, or as large as a full scale kitchen remodel. The renovation and remodel requirements do not include demolition of an entire facility; please refer to “New Commercial Construction” for more details.

- Changes to plumbing or kitchen fixtures
- Grease Interceptor Installation
- Cross-connection hazards / Backflow Device installation
- Fire Restoration Rebuild
- Fire Line Installation
- Irrigation Installation
- Service size upgrade

Plan Submission Requirements:

Email your pdf plans (site/utility/plumbing sheets) to CBU along with your completed Utilities Project Review Application. There is no fee for plan submission or project review. A Notification letter will be issued to you stating that we have received plans for review and provide basic information along with the project’s review team members. Please allow 2-4 weeks for a complete review to be performed and official comments to be issued. **Email to:** UtilitiesPlanReview@bloomington.in.gov

SITE & UTILITY PLANS

- Preferred sheet size: 24” x 36”
- Must be ***drawn to scale***
- Project name, site address, street names, and location map
- Include North Arrow indicators, applicable notes & legends
- All existing and proposed easements
- All existing and proposed utilities
- Connection points from building to utility mains

- Standard details
- ***Site plan must include the total Pervious & Impervious Areas for the ENTIRE SITE.*** If your project is ONLY an interior remodel or GI installation, then you may disregard this requirement. Any other changes to the footprint of the building(s), additions/removal of impervious features (building, parking/pavement, sidewalk, etc.) MUST include this data.

PLUMBING PLANS – PART 1: PRETREATMENT (Grease Interceptor Installation)

All Food Service Establishment (FSE) plans or Commercial developments within areas zoned for FSE's must include these items before approval will be granted for Grease Interceptor installation. Sample diagrams are available on our website under the Pretreatment Program section.

An exterior grease interceptor must be provided if the building will house a Food Service Establishment as defined by Bloomington Municipal Code Chapter 10.17. Grease interceptors shall be sized according to the 2006 Uniform Plumbing Code Gravity Grease Interceptor Sizing Method (Table 10-3) or other sizing method that provides a minimum 30 minute hydraulic retention time. Precast concrete grease interceptors must be designed and constructed in accordance with the City of Bloomington Utilities Department's Standard Grease Interceptor Detail (Detail #21). Plan submittals must include the location and calculated volume of the interceptor, CBU interceptor detail #21 or a pre-approved alternative interceptor detail, and the plumbing layout of all kitchen fixtures and "grease only" sewer lines, both interior and exterior. Wastewater from 3-bay sinks, pre-rinse sinks, mop sinks, hand sinks, and floor drains shall be discharged into the grease interceptor. Commercial dishwashers shall **not** be plumbed to the grease interceptor. The installation of new or the replacement of existing garbage disposal units in Food Service Establishments is prohibited. For more information about grease interceptor requirements or to seek approval for a proposed interceptor installation, please contact the Pretreatment Program Inspector at (812) 349-3934.

a) **Plumbing Layout Diagram**

- All Sanitary Waste and Grease Waste lines must be labeled and shown separately. Example: SSL = Sanitary Sewer Line, GWL = Grease Waste Line.
- Label each of the fixtures, floor drains, cleanouts, vents, etc in their proper location.
- Include the fixture trap arm size and show the points of connection from the fixture to the proper waste line.
- Plans must be **drawn to scale**.
- On Remodel projects, notate on the plans which fixtures are existing or proposed. This can be done via a numbered Plan Note.
- Visit our website at: <https://bloomington.in.gov/utilities/review/forms> and scroll down to the PreTreatment section for the sample diagrams.

b) **Grease Interceptor**

- Grease interceptor standard detail or specification sheet from the manufacturer. Pre-approved device types and models are listed on our website at: <https://bloomington.in.gov/utilities/review/design/manual#pretreatment-specifications>
- Indicate the Type & Size of the proposed grease interceptor unit
- Connection of the grease waste line into the GI unit
- Show where the GI unit will connect back into the existing lateral; or the new connection point on the City main.
- Include locations of the clean outs, vents, sampling ports, etc.

PLUMBING PLANS – PART 2: BACKFLOW PREVENTION (Backflow Device Installation)

Cross-Connection Hazards for Domestic Water, Fireline, and Irrigation service lines

A reduced pressure principle assembly is recommended on all commercial customer service lines **and multifamily service lines**. An approved backflow prevention assembly is required on all customer service lines if the building will house a designated cross connection hazard as specified by 327 IAC 8-10-4 or as determined by CBU.

For more information about backflow prevention requirements or to seek approval for a proposed device, please contact the Environmental Program Coordinator at (812) 349-3948. Additional Program details, Informational Brochures, Standard Details, Approved Devices, Installation, Inspection, and Testing Requirements, and submission of the testing reports are available under the [Backflow Prevention](#) section of our website.

- a) **Utility Notifications:** Please include the following note on the Utility Plan & Plumbing Plan sheet(s) of all future plan submittals that require a Backflow Prevention device.
 - o **Backflow Device Testing Requirements:** All devices must be tested by an Indiana Registered Cross Connection Control Device Inspector upon installation and at intervals not to exceed 12 months. Results are to be submitted to CBU via www.trackmybackflow.com. Contact the Environmental Program Coordinator at (812)349-3948 with any questions.

- b) **Plumbing Layout Diagram**
 - o All Water Supply Service Lines (Domestic, Irrigation, Fireline) must be labeled and shown separately. Example: WSL = Water Service Line (or Domestic Line), FL = Fire Line, etc.
 - o Label each of the fixtures and show the points of connection from the service line to the fixture.
 - o Indicate the location, the make and model number of the backflow prevention device(s).
 - o Plans must be **drawn to scale**.
 - o On Remodel projects, notate on the plans which fixtures are existing or proposed. This can be done via a numbered Plan Note.
 - o Include the following requirements on your plumbing plan submittal (domestic water / fireline / irrigation). Also refer to *Standard Details #7a, 28, 29, and 31* which are available on our website at: <https://bloomington.in.gov/utilities/review/design/details>.
 - o Visit our website at: <https://bloomington.in.gov/utilities/review/forms> and scroll down to the Backflow section for the sample diagrams.

- c) **Fire Lines:** If you are installing a *Fire Suppression System*, please contact our Project Coordinator – New Services at (812)349-3689 for more details.

Attached forms include:

1. Application for Project Review
2. Fixture Count for Remodeled Facility
3. Standard Details #7a, 21, 28, 29, 31

Submit Plans & Application To:

Email digital files to: UtilitiesPlanReview@bloomington.in.gov
or mail to: City of Bloomington Utilities
Attn: Engineering Utilities Technician
600 E Miller Drive
Bloomington, IN 47401



CITY OF BLOOMINGTON UTILITIES

600 E Miller Drive, Bloomington, IN 47401

www.bloomington.in.gov/utilities

Utility Project Review Application

This form must be completed by all applicants and delivered to City of Bloomington Utilities for project plan submission and review. If you have additional questions, please visit our website for more detailed information: www.bloomington.in.gov/utilities/review

Project Name _____

Project Location _____

Project Description _____

Engineering / Architect / Designer: Preferred Method of Contact: Email Mail

Company: _____

Contact Name: _____ Phone: _____

Address: _____

Email: _____

Owner/Developer: Preferred Method of Contact: Email Mail

Company: _____

Contact Name: _____ Phone: _____

Address: _____

Email: _____

Contractor/Plumber/Other Interested Party: Preferred Method of Contact: Email Mail

Company: _____

Contact Name: _____ Phone: _____

Address: _____

Email: _____

The construction plan shall include information regarding the existing conditions of the property, proposed development and utilities. The plan set shall be prepared by a Civil Engineer, Architect, or Registered Land Surveyor authorized to prepare such plans. Once staff has reviewed the construction plan, written correspondence will be issued to the parties listed above.

- **Typical review responses are sent out within 2-4 weeks of submittal**, but may vary depending upon the complexity of the project.
- **Construction may not begin until an approval has been issued by City of Bloomington Utilities and any other applicable agencies.**

CBU USE ONLY

Date Received:	CBU Staff Name:
Exempt from Review Regulations: <input type="checkbox"/> Yes <input type="checkbox"/> No	Signature:

(See reverse side)



CITY OF BLOOMINGTON UTILITIES

600 E Miller Drive, Bloomington, IN 47401

www.bloomington.in.gov/utilities

Utility Plan Submittal Checklist

Full Utility Review Requested Submission for Plan Commission Only Other: _____

This Project Includes (check all that apply)	Yes	If yes, provide items from checklist(s)
Commercial / Industrial Development (any Non-Residential Use; reference list on website) <i>Indicate Type of Facility:</i>	<input type="checkbox"/>	1-6
Mixed-Use Development (Commercial and Residential Dwellings)	<input type="checkbox"/>	1-6
Residential Development <input type="checkbox"/> Single family <input type="checkbox"/> Multi-family	<input type="checkbox"/>	1-6
Restaurant / Food Service / Food Prep / Breweries & Distilleries / Cross-connection Hazards / Changes to Plumbing and/or Kitchen Fixtures <i>Indicate Type of Facility:</i>	<input type="checkbox"/>	1, 3a, 4-5 Also #3 & 6, if applicable
Remodel / Renovation to an Existing Building / Fire Restoration / Service Sizing Upgrade / Addition of Fire Line, Irrigation Service, or Backflow Prevention Devices (Including, but not limited to: Updates to Plumbing, Changes in Water Use and/or Demand Needs, Changes in Property Use, Rebuild after a Fire)	<input type="checkbox"/>	1, 3a, 4-5
Home or Property Improvements / Permanent or Semi-Permanent Structures / Landscaping: (Including but not limited to: Pools, Fences/Retaining Walls, Detached Garage, Out-buildings/Sheds, Porch/Deck, Landscaping or tree planting within the Right-of-Way, Utility Easement, or within 10-ft of existing utilities.)	<input type="checkbox"/>	7 Also # 6, if applicable
Other (please describe):	<input type="checkbox"/>	

Plan Review Requirements

Included?	Item #	
<input type="checkbox"/>	1	Submit One (1) Copy of Utility Construction Plans / Project Site Plan / Plumbing Plans to CBU for review (<i>plans must be drawn to scale</i>). Refer to list on website for requirements.
<input type="checkbox"/>	2	Water & Sewer Main Extensions: <input type="checkbox"/> IDEM Sewer Application <input type="checkbox"/> IDEM Water Application <input type="checkbox"/> Water Model w/ Fire flows
<input type="checkbox"/>	3	Stormwater / Detention: <input type="checkbox"/> Drainage Report <input type="checkbox"/> O&M Manual <input type="checkbox"/> FMP <input type="checkbox"/> MS4 – Rule 5 <input type="checkbox"/> SWPPP <input type="checkbox"/> Other
<input type="checkbox"/>	3a	Site Plan: <input type="checkbox"/> Must include the Pervious & Impervious totals for the entire site/parcel *plan note or table with data will be sufficient
<input type="checkbox"/>	4	Pretreatment / FOG: <input type="checkbox"/> Plumbing Plans <input type="checkbox"/> GI Unit <input type="checkbox"/> Oil-Water Separator <input type="checkbox"/> Brewery/Distillery <input type="checkbox"/> Manufacturing <input type="checkbox"/> Industrial W-W Survey Packet
<input type="checkbox"/>	5	New Services / Fire Lines / Backflow Prevention: <input type="checkbox"/> Fixture Count <input type="checkbox"/> Fire Line Calcs & Letter <input type="checkbox"/> Plumbing Plans <input type="checkbox"/> Application: Domestic / Fire Line / Irrigation (<i>please circle all applicable</i>)
<input type="checkbox"/>	6	Property Easements / Plats / Landscaping: <input type="checkbox"/> Landscape Plans <input type="checkbox"/> Recorded Easement(s) <input type="checkbox"/> Recorded Final Plat
<input type="checkbox"/>	7	Non-Utility Home or Property Improvement Projects must provide a site plan/map showing the location of all <i>existing & proposed</i> structures, existing utilities, and easements. Provide a brief description of the proposed improvements. Email to: UtilitiesPlanReview@bloomington.in.gov

(See reverse side)

CITY OF BLOOMINGTON UTILITIES

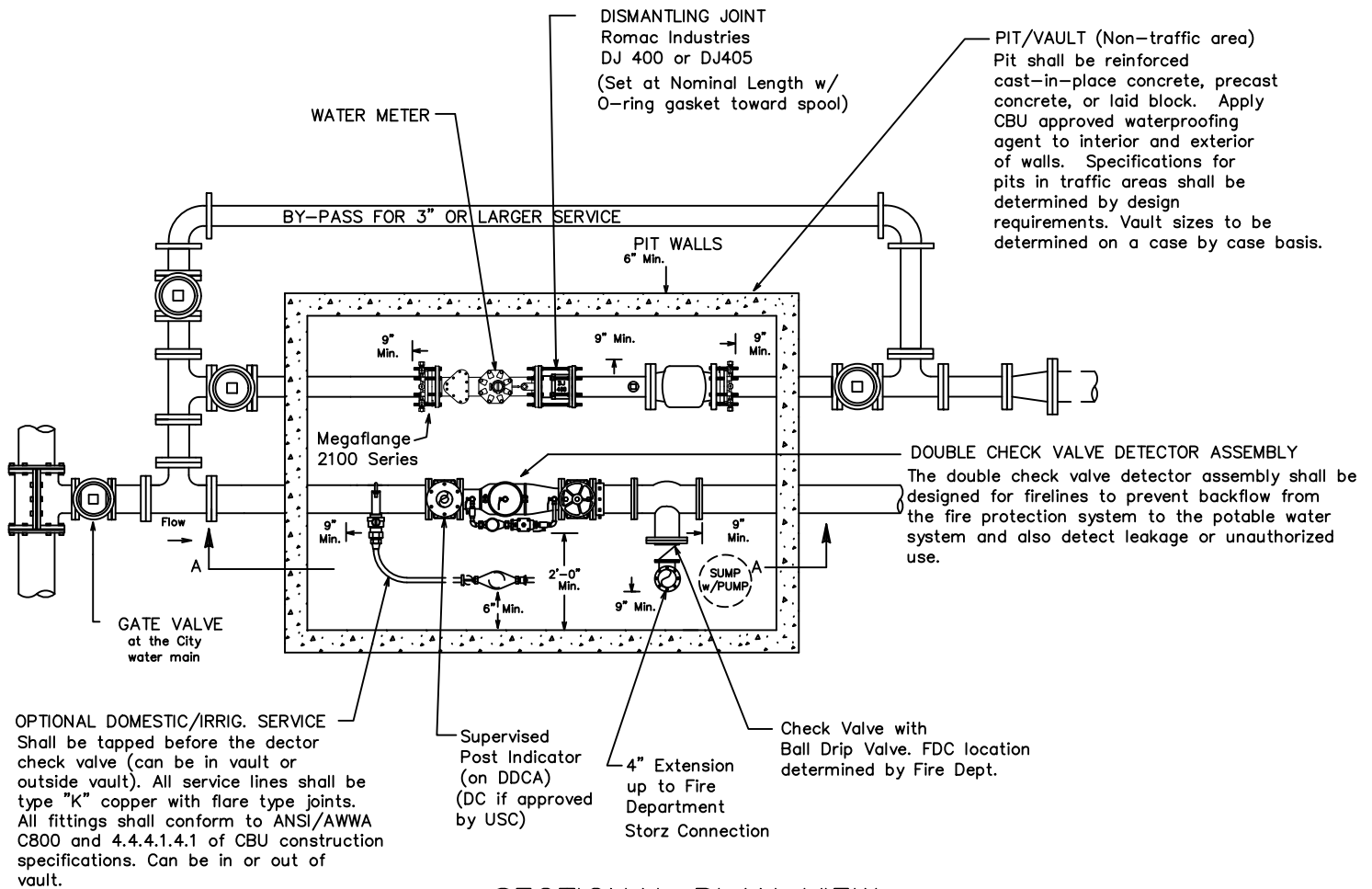
PLUMBING FIXTURE COUNT

ADDRESS _____

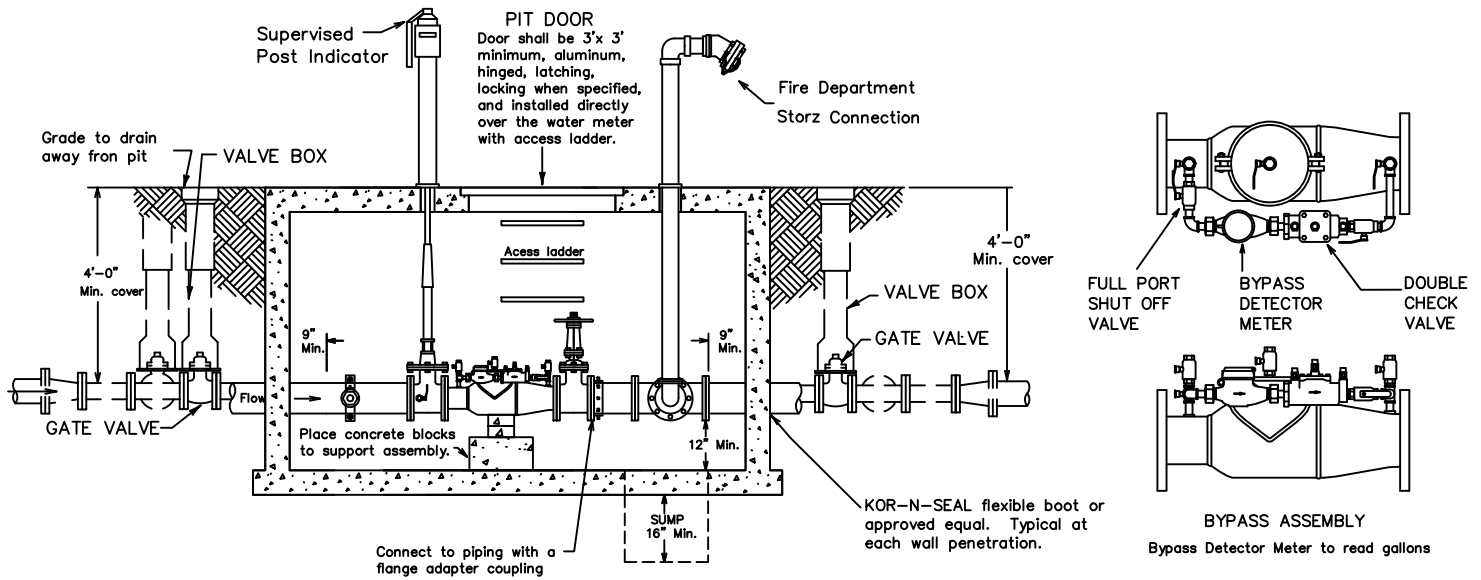
Are most of the fixtures listed, for public use? YES NO
 Are water closets and urinal predominantly Flushometers? YES NO

Pre-remodel # OF EACH	Post remodel # OF EACH	<u>TYPE OF FIXTURE</u>
_____	_____	Bathroom Sink
_____	_____	Bathtub/Shower Combo
_____	_____	Bathtub only
_____	_____	Bar Sink
_____	_____	Bidet
_____	_____	Clothes Washer
_____	_____	Cuspidor
_____	_____	Direct line connection Coffee/Tea Maker
_____	_____	Dishwasher, residential
_____	_____	Dishwasher, Commercial
_____	_____	Disposal, Commercial Spray
_____	_____	Drinking Fountain
_____	_____	Fountain Drink Dispenser
_____	_____	Hose Bib (outside hose connect)
_____	_____	Ice Maker, residential
_____	_____	Ice Machine, Commercial
_____	_____	Kitchen Sink, residential
_____	_____	Kitchen Bay Sinks, (# of bays, Commercial)
_____	_____	Laundry Tub
_____	_____	Shower Head - shower stall only
_____	_____	Service/Mop Sink
_____	_____	Urinals, Pedestal
_____	_____	Urinals, Wall
_____	_____	Urinals, Tank
_____	_____	Toilet, (with tank)
_____	_____	Toilet, Flushometer (tankless)
_____	_____	Wash/Janitorial Sink

Please list, in GPM, any continuous demand needs and their purpose:



SECTIONAL PLAN VIEW



SECTION A-A

NO SCALE

FIRE LINE DOUBLE DETECTOR ASSEMBLY
WITH DOMESTIC/IRRIGATION METER
INSTALLATION DETAIL

City of Bloomington Utilities Engineering Department

NOT TO SCALE
JDR
12/24/2019

Drawing File:
I:\COMMON\STANDARD DRAWINGS\STD7A.dgn

STANDARD
DETAIL
NUMBER

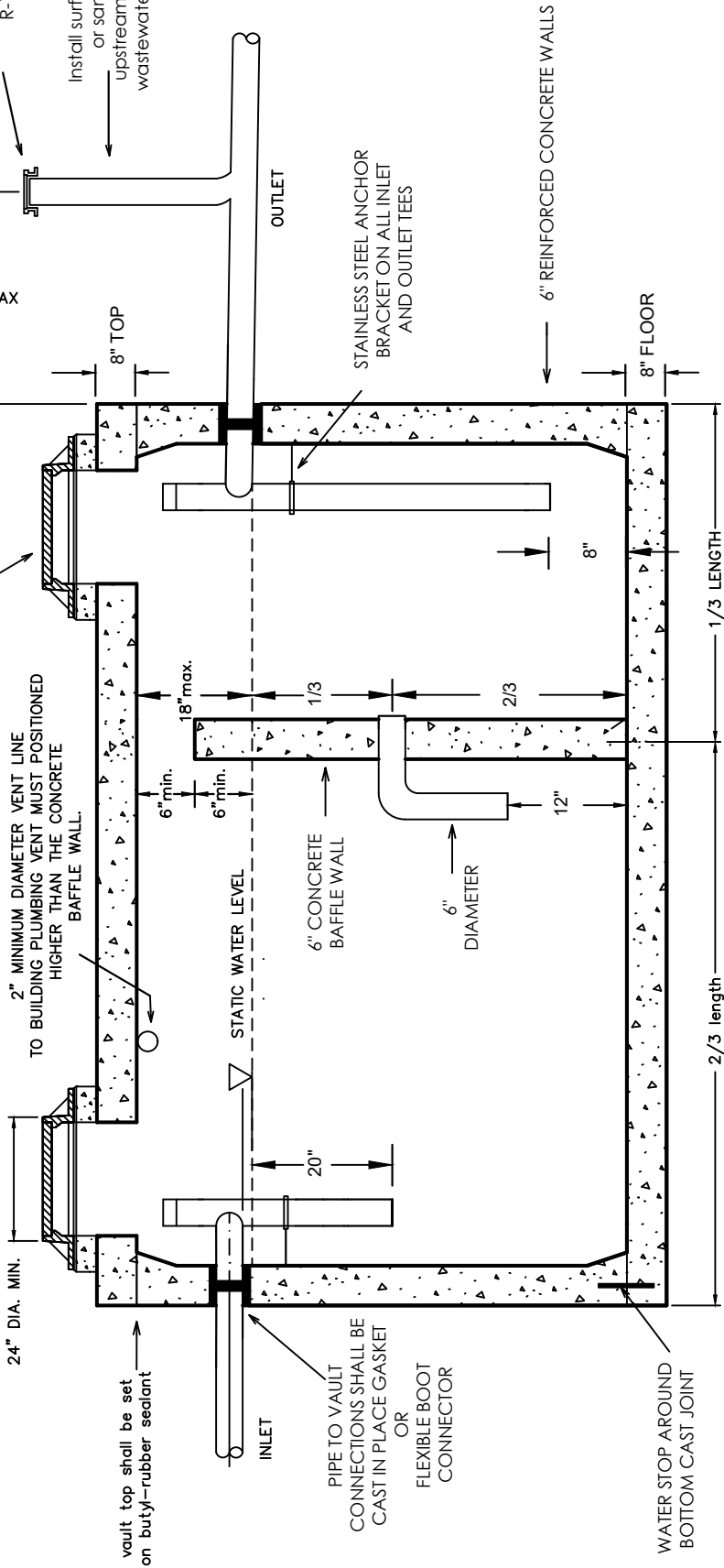
7a

PROTECTIVE CASTING
EAST JORDAN
CATALOGUE NO. 2975
OR
NEENAH
CATALOGUE NO.
R-1974-A

Install surface cleanout
or sample vault
upstream of additional
wastewater contributions

MANHOLES MUST BE INSTALLED
ABOVE ALL INLET AND OUTLET TEES

CASTING SHALL BE FLUSH WITH GRADE.
CASTING FRAME AND RISERS SHALL BE SET ON BUTYL-RUBBER
ROPE.

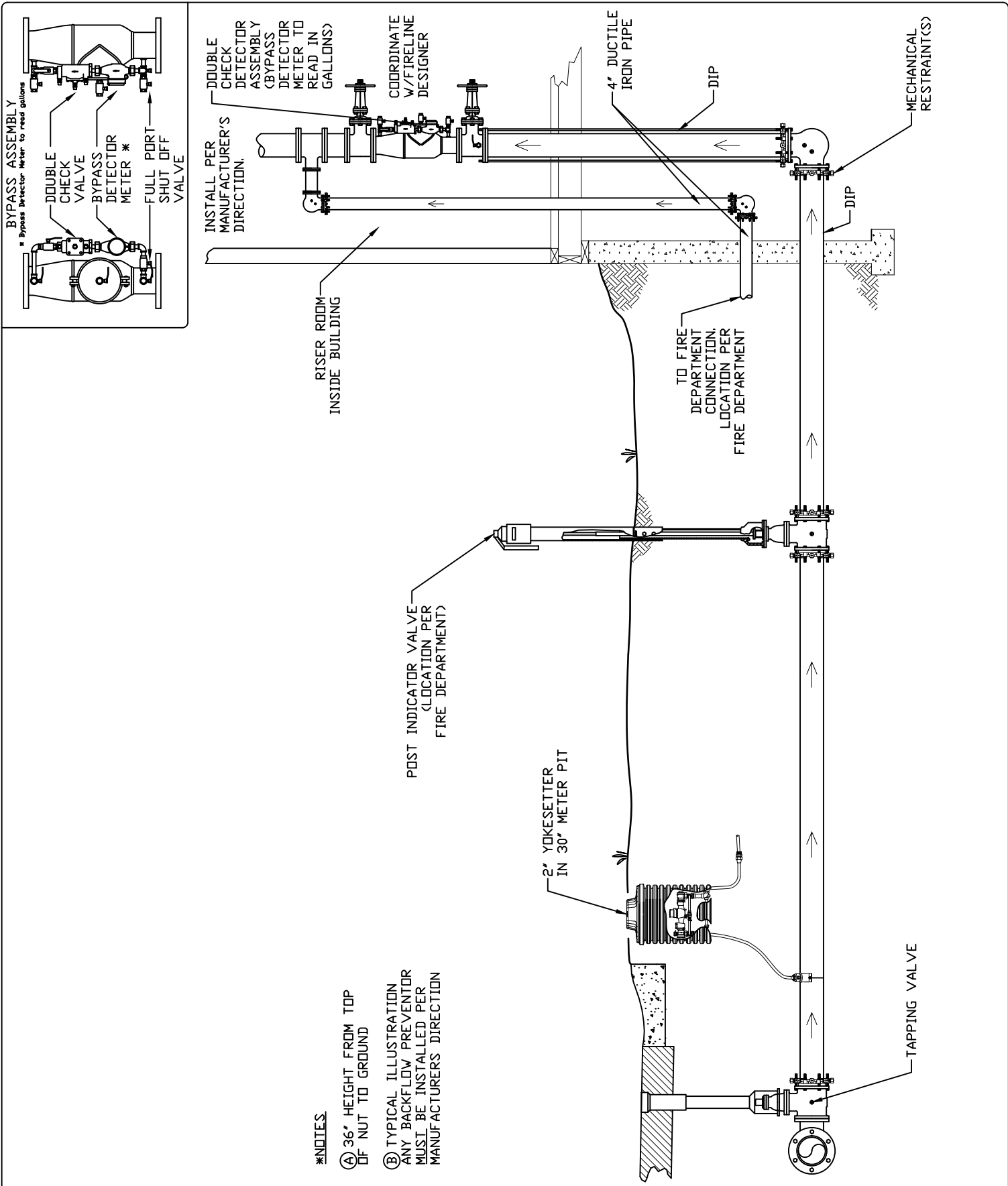


1. ALL PIPES MINIMUM 6" DIAMETER PVC.
2. GREASE INTERCEPTOR SHALL BE H-20 TRAFFIC RATED.
3. CASTINGS AND LIDS SHALL BE EJIW 1020 SERIES OR EQUIVALENT, NON BOLT-DOWN, AND LABELED " GREASE. "
4. ALL EQUIPMENT AND COMPONENTS INSTALLED WITHIN THE GREASE INTERCEPTOR MUST BE MANUFACTURED FROM NON-CORROSIVE MATERIALS.
5. VAULT CASTING JOINTS SHALL BE CONSTRUCTED WITH AN APPROVED TYPE WATERSTOP.
6. EXTERIOR WATERPROOFING SHALL BE USED TO COMPLETELY SEAL AROUND INTERCEPTOR
7. IPANEX OR AN APPROVED EQUIVALENT CONCRETE ADMIXTURE SHALL BE USED.
8. INLET PIPE INVERT SHALL BE A MINIMUM OF 2" HIGHER THAN THE OUTLET PIPE INVERT.
9. "DRY CAST" GREASE INTERCEPTORS ARE PROHIBITED.

NO SCALE
06/07/07
REVISED
07/03/19

STANDARD GREASE INTERCEPTOR

STANDARD
DETAIL
NUMBER
21



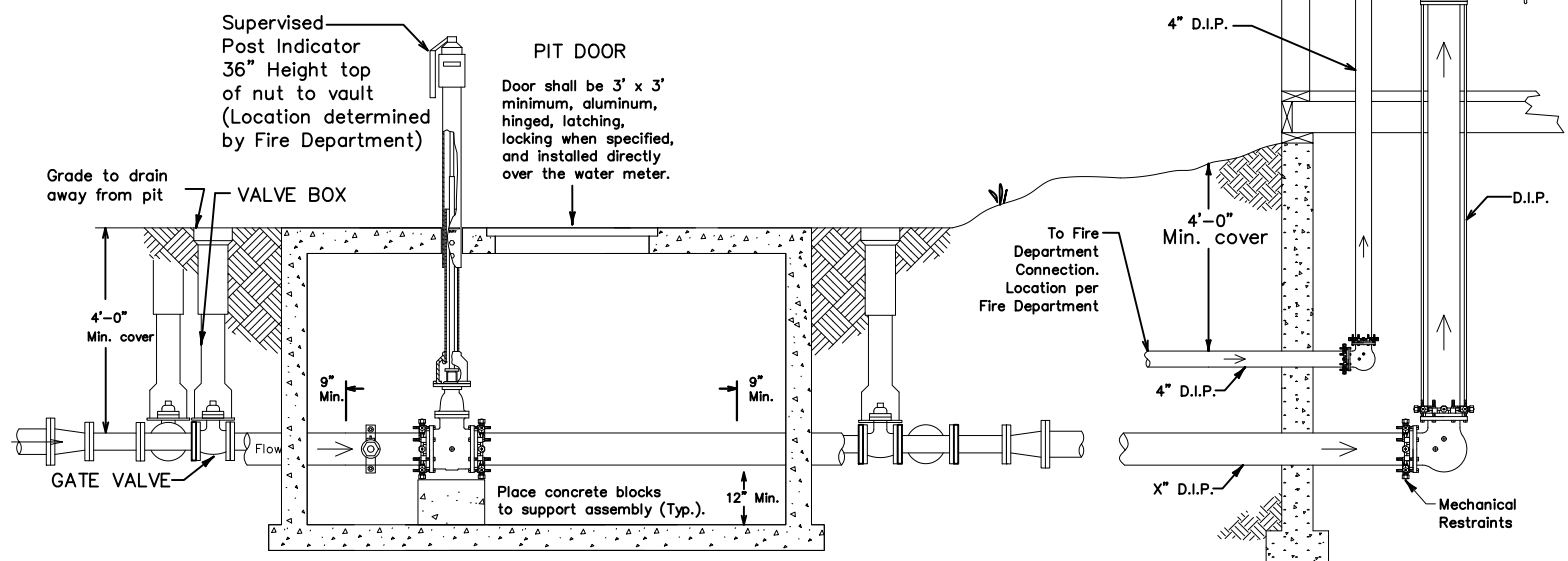
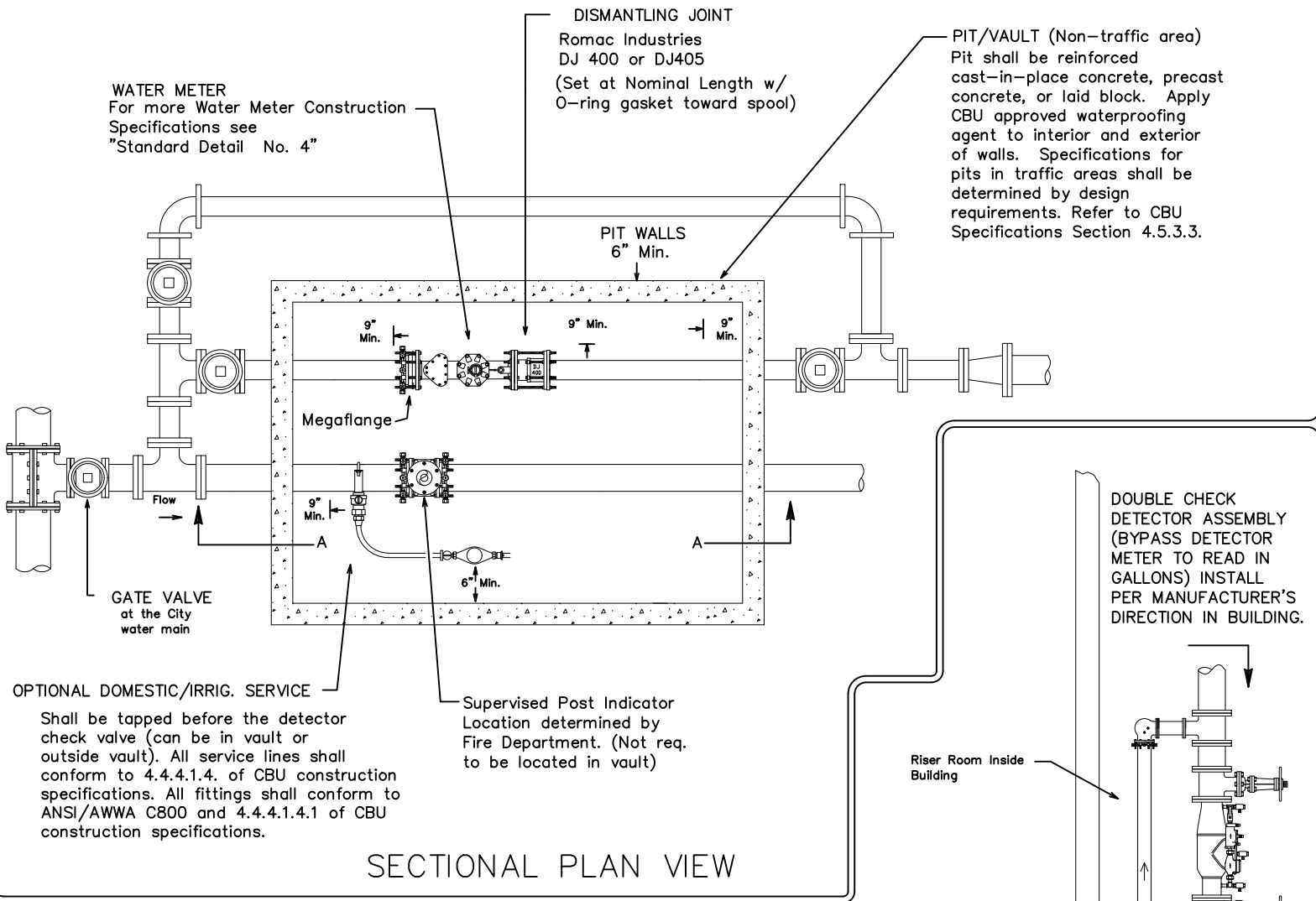
NOT TO SCALE

- *NOTES**
- (A) 36" HEIGHT FROM TOP OF NUT TO GROUND
 - (B) TYPICAL ILLUSTRATION ANY BACKFLOW PREVENTOR MUST BE INSTALLED PER MANUFACTURERS DIRECTION

STANDARD FIRE LINE DOUBLE CHECK VALVE
2" OR SMALLER DOMESTIC METER
INSTALLATION DETAIL

City of Bloomington Utilities Engineering Department
 JDR
 REVISED 03/31/2020
 Drawing File:
 I:\COMMON\STANDARD DRAWINGS\STD28.dwg

STANDARD
 DETAIL
 NUMBER 28



NOT TO SCALE

FIRE LINE DOUBLE & SINGLE DETECTOR
CHECK VALVES
3" OR LARGER DOMESTIC METER
INSTALLATION DETAIL

City of Bloomington Utilities Engineering Department

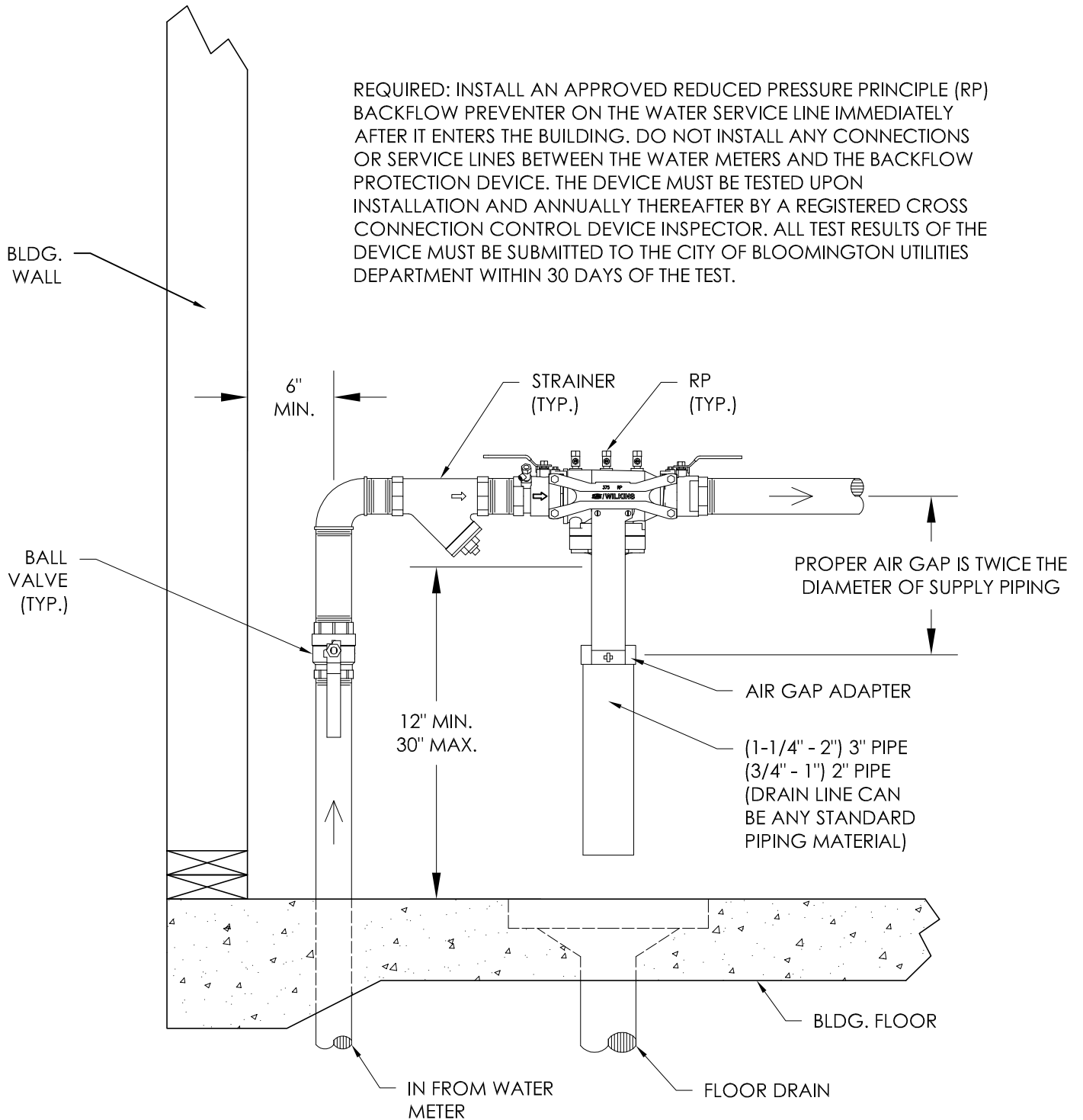
GN/ JR
02/27/2020
04/01/2020

Drawing File:
I:\COMMON\STANDARD DRAWINGS\STD29.dwg

STANDARD
DETAIL
NUMBER

29

REQUIRED: INSTALL AN APPROVED REDUCED PRESSURE PRINCIPLE (RP) BACKFLOW PREVENTER ON THE WATER SERVICE LINE IMMEDIATELY AFTER IT ENTERS THE BUILDING. DO NOT INSTALL ANY CONNECTIONS OR SERVICE LINES BETWEEN THE WATER METERS AND THE BACKFLOW PROTECTION DEVICE. THE DEVICE MUST BE TESTED UPON INSTALLATION AND ANNUALLY THEREAFTER BY A REGISTERED CROSS CONNECTION CONTROL DEVICE INSPECTOR. ALL TEST RESULTS OF THE DEVICE MUST BE SUBMITTED TO THE CITY OF BLOOMINGTON UTILITIES DEPARTMENT WITHIN 30 DAYS OF THE TEST.



NOTE: INSTALLATION SHALL BE SUPPLIED WITH AN AIR GAP ADAPTER, AND PROTECTED FROM FREEZING AND FLOODING

NO SCALE

City of Bloomington Utilities Engineering Department

J.S.
09/20/2018

Drawing File:
I:\COMMON\STANDARD DRAWINGS\STD31.dwg

STANDARD REDUCED PRESSURE PRINCIPLE
BACKFLOW PREVENTER 3/4" THROUGH 12"
INDOOR INSTALLATION DETAIL

STANDARD
DETAIL
NUMBER

31