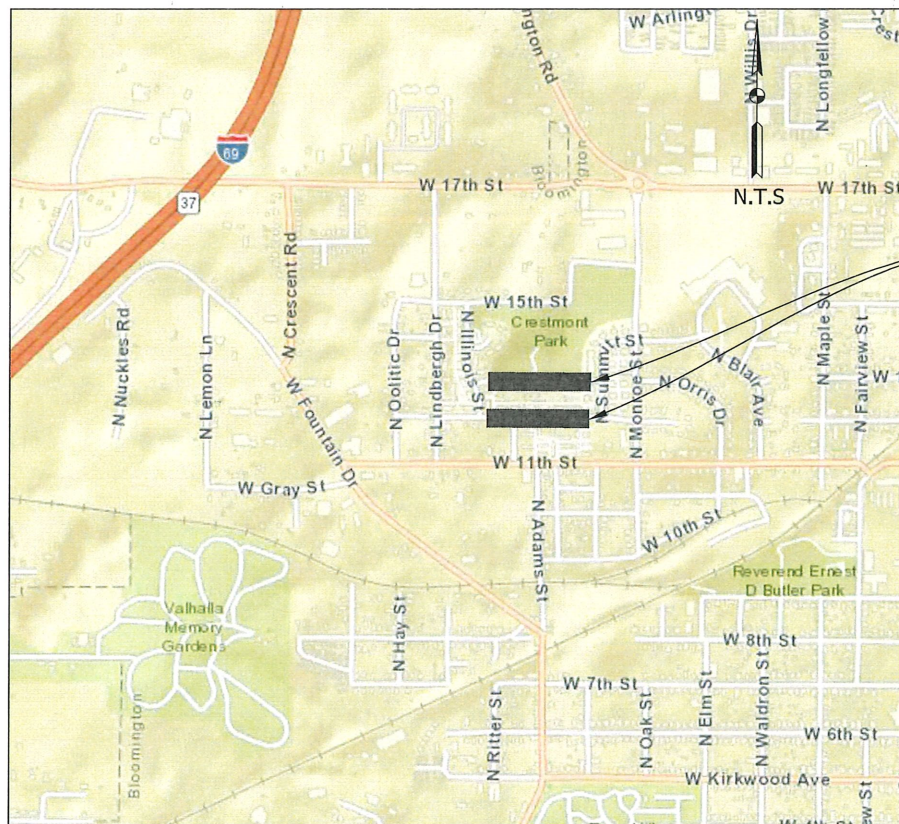




# CRESTMONT NEIGHBORHOOD TRAFFIC CALMING - 12th & 13th STREET

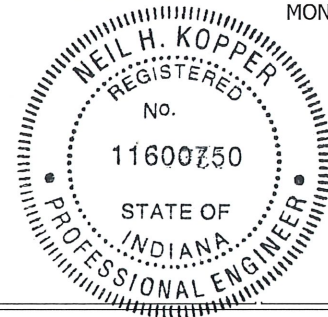
ROUTE: 12th ST & 13th ST BETWEEN N ILLINOIS ST AND N SUMMIT ST,  
 NW CORNER OF SECTION 32, T-9-N, R-1-W, BLOOMINGTON TOWNSHIP, MONROE COUNTY, INDIANA  
 TRAFFIC CALMING, SIGN INSTALLATION AND PAVEMENT MARKINGS

DATA	
TRAFFIC DATA	
12th St & 13th St	
AADT (2021)	669 & 365
AADT (2041 PROJECTED)	
DHV (2041 PROJECTED)	
DIRECTIONAL DISTRIBUTION	
TRUCKS	
DESIGN DATA	
12th St & 13th St	
DESIGN SPEED	25 MPH
PROJECT DESIGN CRITERIA	TRAFFIC CALMING
FUNCTIONAL CLASSIFICATION	LOCAL
RURAL/URBAN	URBAN
TERRAIN	LEVEL
ACCESS CONTROL	NA



PROJECT LOCATION

CITY OF BLOOMINGTON  
 MONROE COUNTY  
 INDIANA






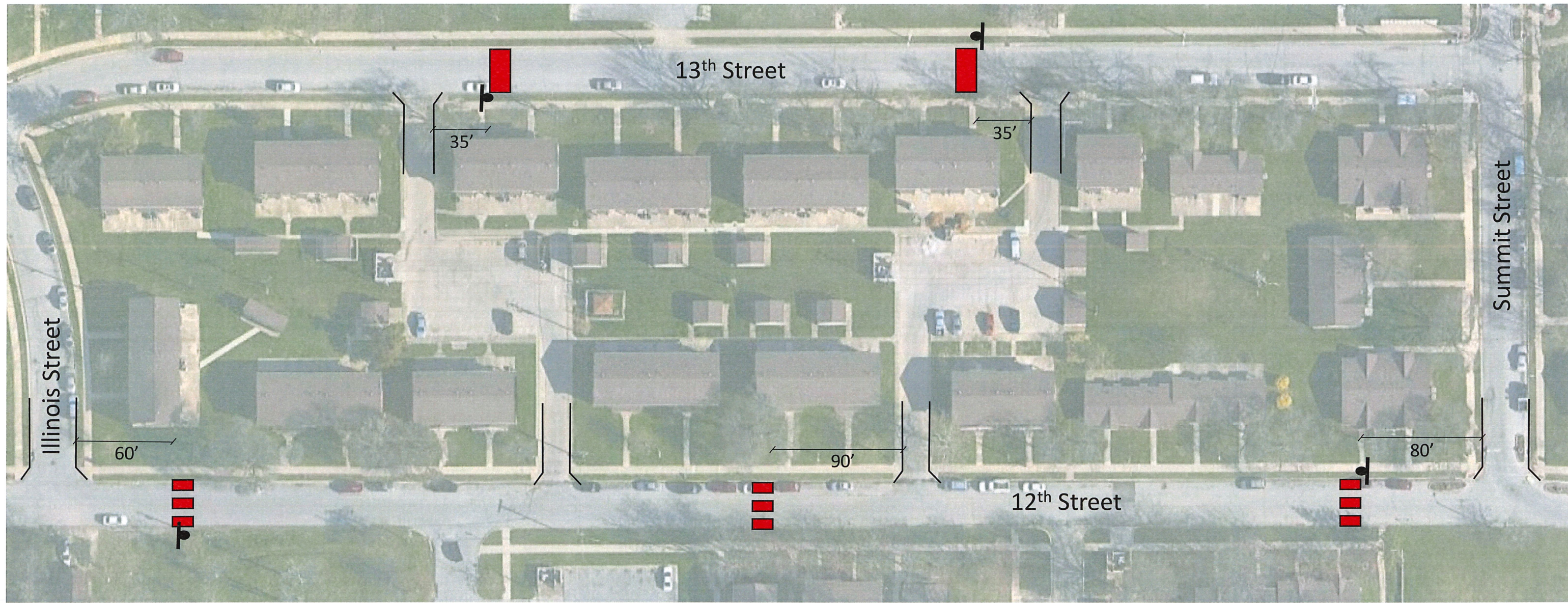
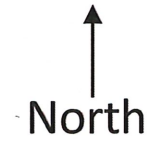
INDIANA DEPARTMENT OF TRANSPORTATION  
 STANDARD SPECIFICATIONS DATED 2020  
 AND CURRENT SUPPLEMENTS THERETO, TO  
 BE USED WITH THESE PLANS

RECOMMENDED FOR APPROVAL	<i>Neil H. Kopper</i>	11/4/2021
	ENGINEER	DATE
DESIGNED: NHK	DRAWN: PRD	
CHECKED: PRD	CHECKED: ASC	

**CITY OF BLOOMINGTON  
 ENGINEERING DEPARTMENT**  
 CRESTMONT NEIGHBORHOOD TRAFFIC CALMING -  
 12th & 13th STREET PROJECT

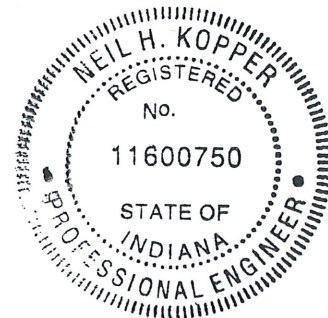
HORIZONTAL SCALE	BRIDGE FILE
VERTICLE SCALE	DESIGNATION
SURVEY BOOK	SHEETS
CONTRACT	1 of 4
	PROJECT


-  Speed Hump
-  Set of 3 Speed Cushions
-  New W17-1 "Speed Hump" Sign 30"x30"



PLOTTED: Wednesday, November 3, 2021 9:31:55 AM

FILE: RD\_PLAN\_01\_CRESTMONT\_TRAFFIC\_CALMING.DWG

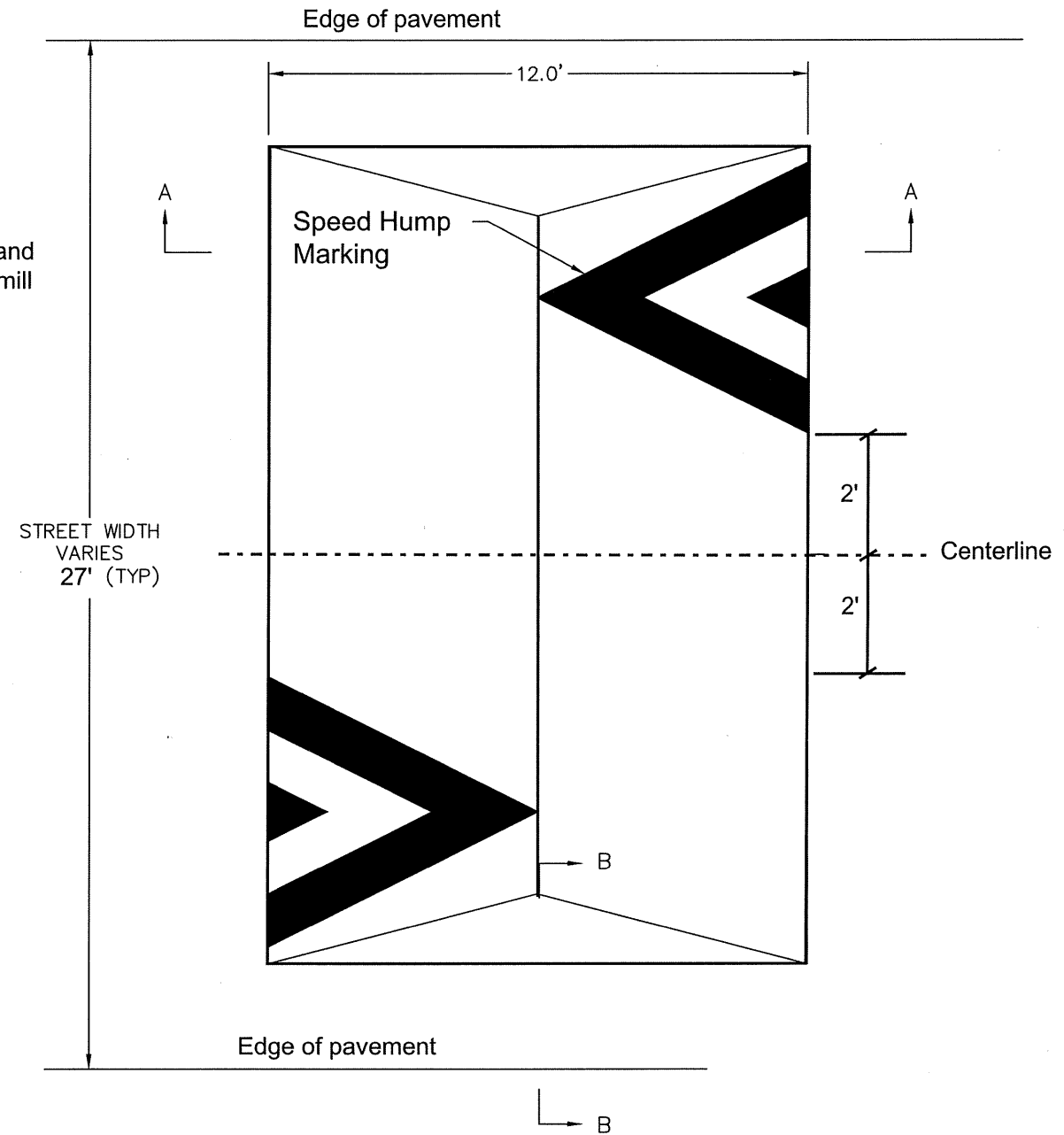
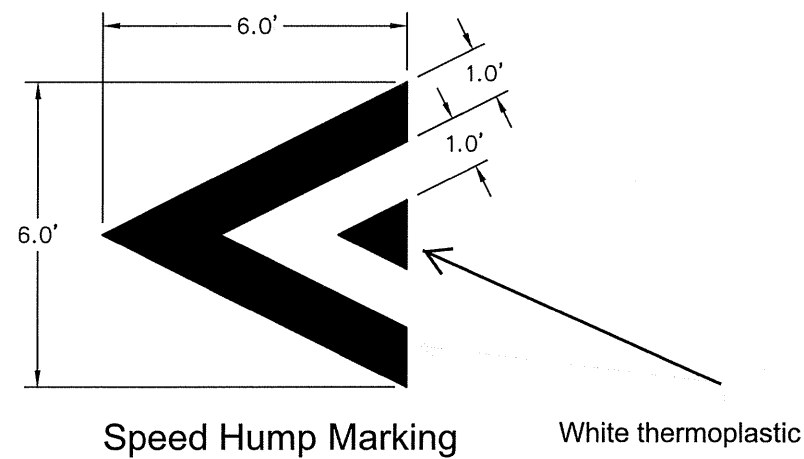
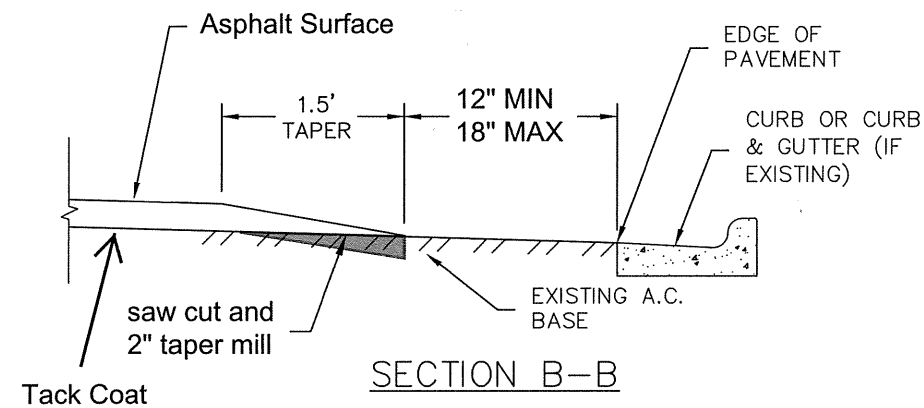
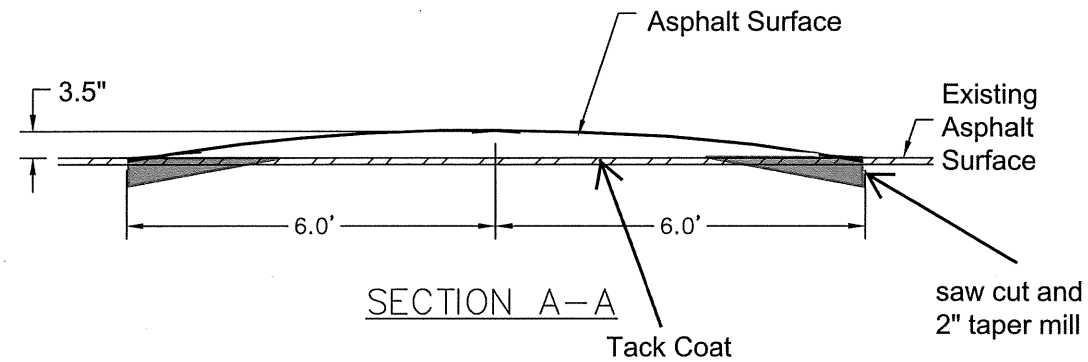
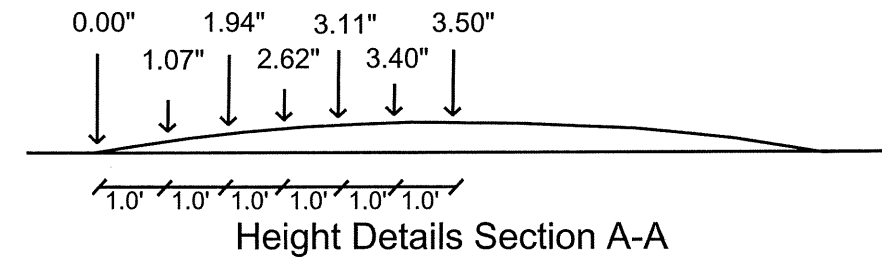


RECOMMENDED FOR APPROVAL		11/4/2021	DATE
DESIGNED: NHK	DRAWN: NHK		
CHECKED: PRD	CHECKED: ASC		

CITY OF BLOOMINGTON  
ENGINEERING DEPARTMENT

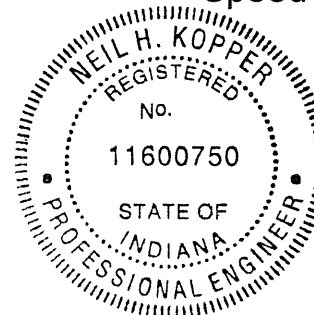
CRESTMONT NEIGHBORHOOD TRAFFIC CALMING - 12th & 13th STREET PROJECT

HORIZONTAL SCALE	BRIDGE FILE
AS NOTED	N/A
VERTICAL SCALE	DESIGNATION
N/A	N/A
SURVEY BOOK	SHEETS
N/A	2 of 4
CONTRACT	PROJECT
N/A	CRESTMONT TRAFFIC CALMING



For use on W 13th Street  
Traffic Calming Project

Speed Hump Detail  
N.T.S



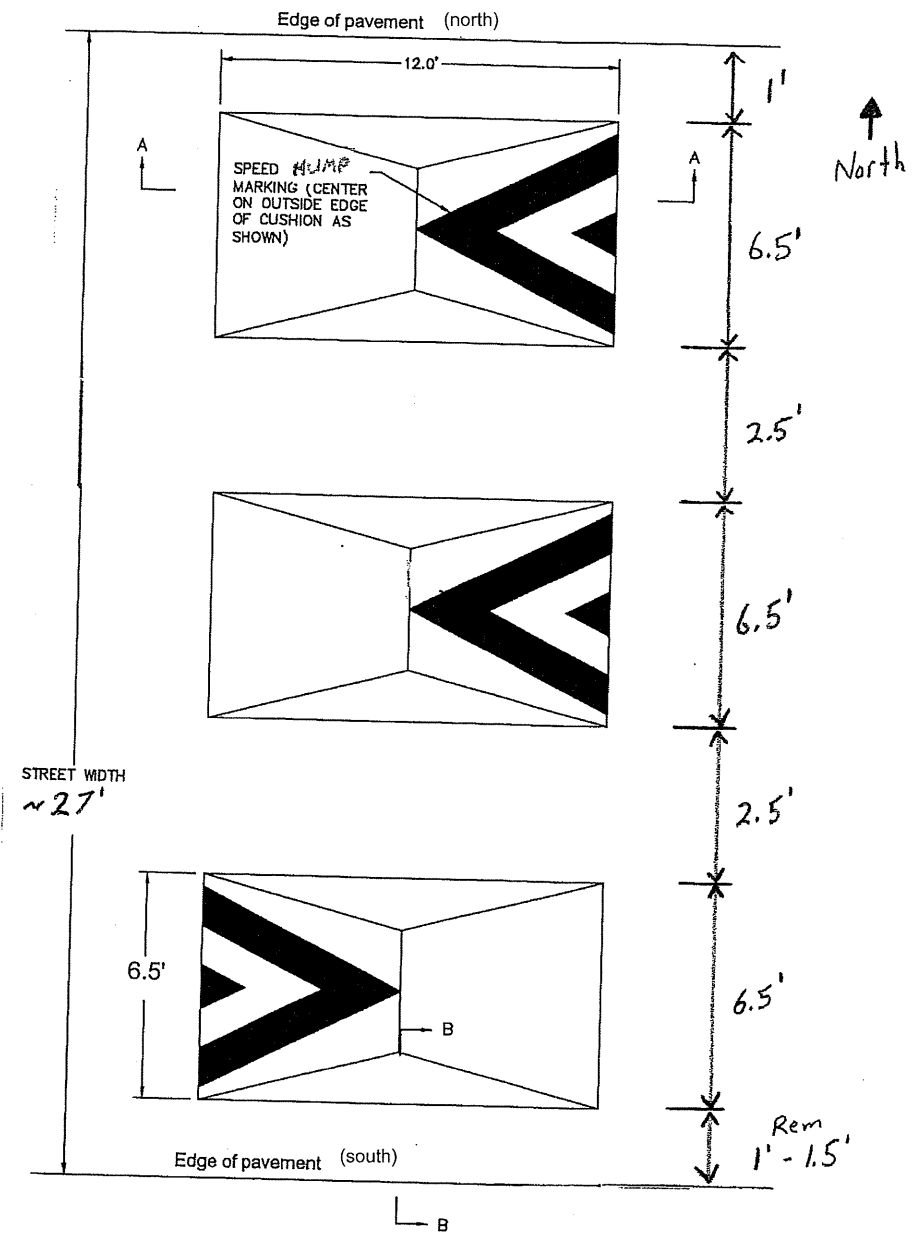
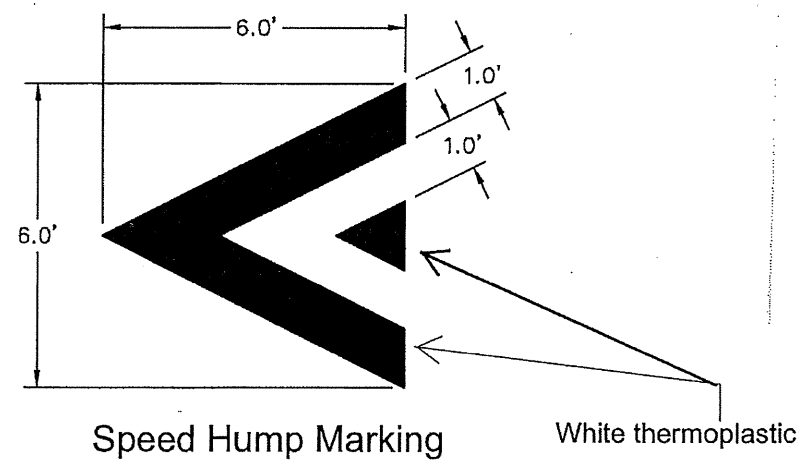
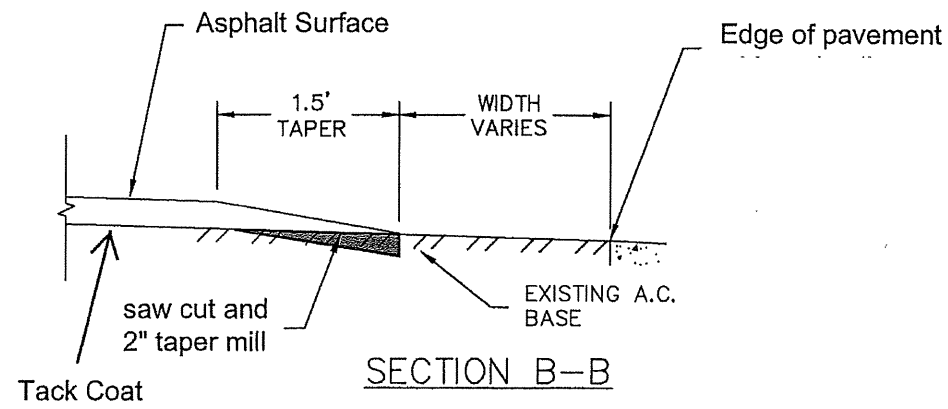
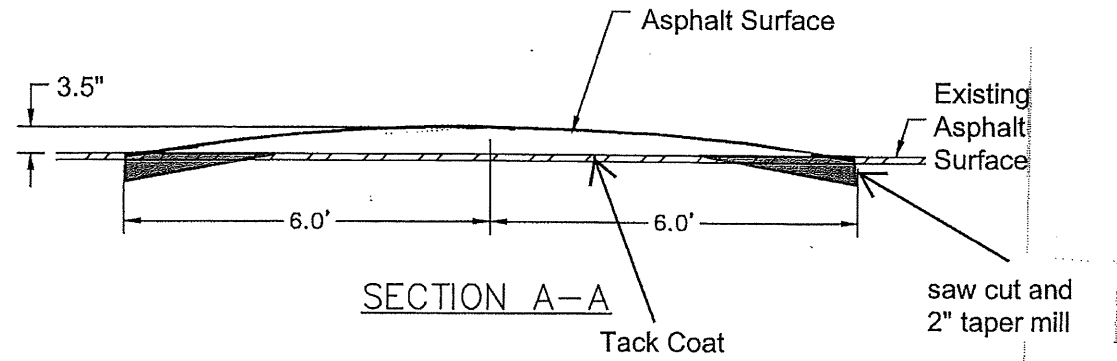
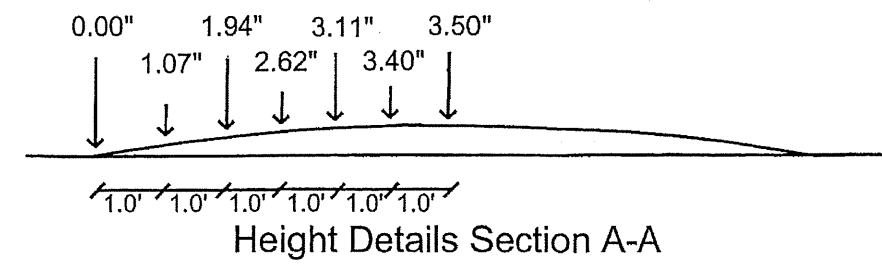
RECOMMENDED FOR APPROVAL *[Signature]* 11/4/2021  
ENGINEER DATE

DESIGNED: NHK DRAWN: NHK  
CHECKED: PRD CHECKED: ASC

CITY OF BLOOMINGTON  
ENGINEERING DEPARTMENT

CRESTMONT NEIGHBORHOOD TRAFFIC  
CALMING - 12th & 13th STREET PROJECT

HORIZONTAL SCALE	BRIDGE FILE
AS NOTED	N/A
VERTICAL SCALE	DESIGNATION
N/A	N/A
SURVEY BOOK	SHEETS
N/A	3 of 4
CONTRACT	PROJECT
N/A	CRESTMONT TRAFFIC CALMING



For use on W 12th Street  
Traffic Calming Project

Speed Cushion Detail  
N.T.S



RECOMMENDED FOR APPROVAL	<i>[Signature]</i>	11/4/2021
DESIGNED: NHK	DRAWN: NHK	DATE
CHECKED: PRD	CHECKED: ASC	

CITY OF BLOOMINGTON  
ENGINEERING DEPARTMENT  
  
CRESTMONT NEIGHBORHOOD TRAFFIC CALMING - 12th & 13th STREET PROJECT

HORIZONTAL SCALE	BRIDGE FILE
AS NOTED	N/A
VERTICAL SCALE	DESIGNATION
N/A	N/A
SURVEY BOOK	SHEETS
N/A	4 of 4
CONTRACT	PROJECT
N/A	CRESTMONT TRAFFIC CALMING